

Suction and return tank mounted filters

HF 595 series



TECHNICAL CHARACTERISTICS

HF 595 filter series are tank mounted and can be connected to the suction or return line of the circuit, they protect the circuit components from contaminating particles.

- Reduced space occupied in the tank
- Filler cap availability
- Maximum working pressure 218 psi (15bar)

MATERIALS	
Cover	Aluminum
Bowl	Aluminum
Seals	Buna - Viton
End cap	Zinc plated steel
Inner tube	Zinc plated steel
	Stainless steel
Filter media	Cellulose
	Micro-fibre glass

FLUID COMPATIBILITY	
Conforming to ISO 2943 (Norm ISO 6743/4)	
Oil mineral (1)	HH - HL - HM - HR - HV - HG
Water emulsion (1)	HFAE - HFAS
Synthetic fluid (2)	HS - HFDR - HFDU - HFDS
(1) With Buna seals	
(2) With Viton seals	

FLOW	
Flow max. (Suction)	21 US gpm (80 l/min)
Flow max. (Return)	53 US gpm (200 l/min)

PRESSURE	
Working pressure	218 psi (15 bar)
Testing pressure	334 psi (23 bar)
Burst pressure	435 psi (30 bar)
Element collapse pressure rating (conforming to ISO 2941)	145 psi (10 bar)

BY-PASS VALVE	
By-pass setting	2.9 psi (0,2 bar) (Suction)
By-pass setting	25 psi (1,7 bar) (Return)

OPERATING TEMPERATURE	
With Buna seals	-22 ÷ 195 °F (-30 ÷ 90 °C)
With Viton seals	-4 ÷ 230 °F (-20 ÷ 110 °C)

DEGREE OF FILTRATION		
Absolute Filtration		
<i>Code</i>	<i>Material</i>	<i>Degree of filtration</i>
FG010	Micro-fibre glass	10 µm
FG025	Micro-fibre glass	25 µm

Nominal Filtration		
<i>Code</i>	<i>Material</i>	<i>Degree of filtration</i>
RP010	Reinforced cellulose	10 µm
RP025	Reinforced cellulose	25 µm
SP010	Cellulose	10 µm
SP025	Cellulose	25 µm
MI060	Stainless steel wire mesh	60 µm
MI125	Stainless steel wire mesh	125 µm

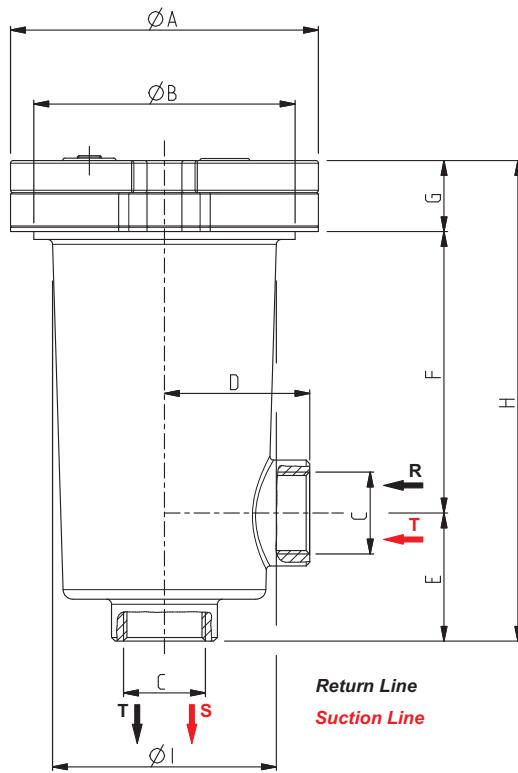
SP010 and SP025 filtration degrees can be supplied only for HF 595-10.060 and HF 595-20.077

RP010 and RP025 filtration degrees can be supplied only for HF 595-20.122 and HF 595-30.195

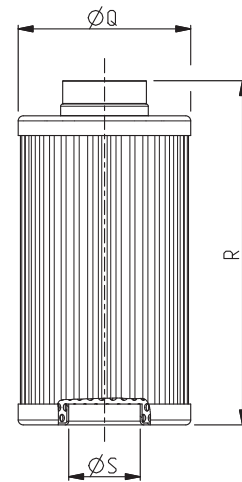
INDICATORS (3)	
Radial manometer	
Visual indicator	
Electical indicator	

(3) Characteristics and dimension at page 4

HF 595 DIMENSIONS

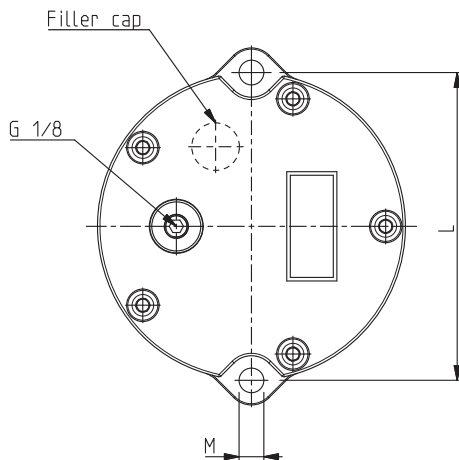
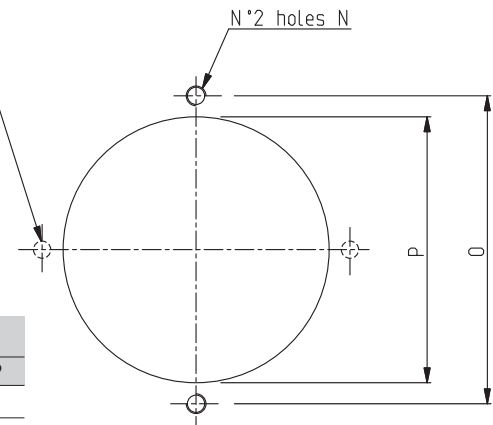


Element HE K02



Reservoir mounting hole dimensions

N*4 90° holes N
(30 version only)



Filler cap	
Filter type	GAS-BSPP
HF 595-10	G 3/8
HF 595-20	G 1/2
HF 595-30	G 3/4

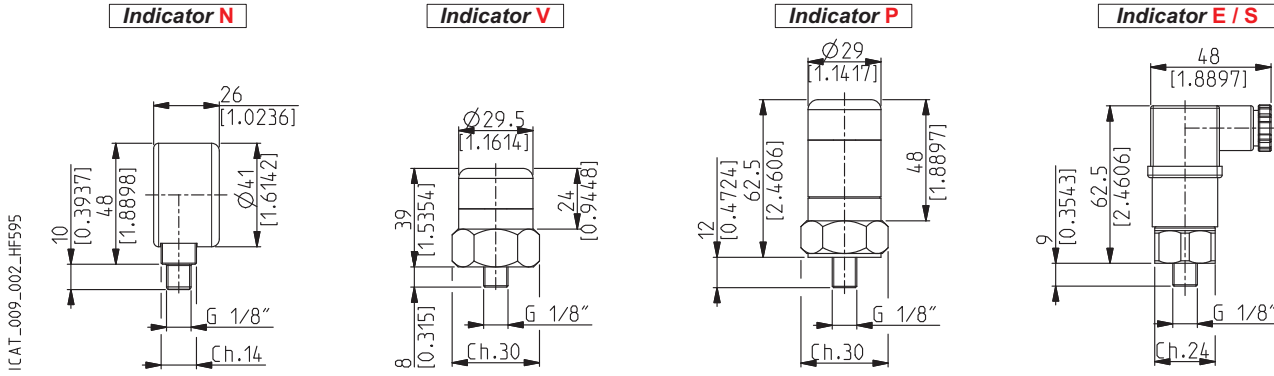
ICAT_009_001_HF595

01/04.2011

Filter type	ØA	ØB	C	D	E	F	G	H	ØI	L	M	N	O	P
	mm(in)	mm(in)	GAS-BSPP	mm(in)	mm(in)	mm(in)	mm(in)	mm(in)	mm(in)	mm(in)	mm(in)		mm(in)	mm(in)
HF 595-10.060	100 (3.9369)	80 (3.1495)	G 1/2	48 (1.8897)	41 (1.6141)	65 (2.5590)	22 (0.8661)	126 (4.9606)	71 (2.7952)	100 (3.9369)	7 (0.2755)	M6	100 (3.9369)	82 (3.2283)
HF 595-20.077	125 (4.9212)	106 (4.1732)	G 3/4	59 (2.3228)	52 (2.0472)	72 (2.8346)	29 (1.1417)	151 (5.9448)	91 (3.5826)	125 (4.9212)	9 (0.3543)	M8	125 (4.9212)	108 (4.2519)
HF 595-20.122	175 (6.8897)	147 (5.7873)	G 1	84 (3.3070)	63 (2.4803)	116 (4.5669)	35 (1.3779)	195 (7.6771)	275 (10.8267)	138 (5.4330)	175 (6.8897)		175 (6.8897)	149 (5.8661)

Element type	Filtering surface					
	Ø Q	Ø R	S			
	mm(in)	mm(in)	mm(in)			
HE K02-10.060	26 (1.0226)	52 (2.0472)	75 (2.9527)			
HE K02-20.077	29 (1.1417)	70 (2.7558)	95 (3.7401)			
HE K02-20.122			140 (5.5117)			
HE K02-30.195	41 (1.6141)	99 (3.8976)	212 (8.3664)			
				FG	MI	RP / SP
				cm ² (in ²)	cm ² (in ²)	cm ² (in ²)
HE K02-10.060				346 (53.6301)	227 (35.1850)	400 (62.0001)
HE K02-20.077				702 (108.8102)	444 (68.8201)	850 (131.7503)
HE K02-20.122				1113 (172.5153)	615 (95.3251)	1347 (208.7854)
HE K02-30.195				3705 (574.2761)	2048 (317.4406)	4485 (695.1764)

INDICATORS



FLOWS

Filter type	Ports IN / OUT GAS (BSPP)	Degree of filtration					
		FG010	FG025	MI060	MI125	RP010/SP010	RP025/SP025
		Flow $\Delta p = 1.4$ psi (0,1 bar) (Suction) / $\Delta p = 5.8$ psi (0,4 bar) (Return)					
US gpm (l/min)							
HF 595-10.060	G 1/2	*/4.0(15)	*/5.3(20)	2.6(10)/6.6(25)	4.0(15)/7.9(30)	1.3(5)/4.0(15)	2.6(10)/5.2(20)
HF 595-20.077	G 3/4	*/7.9(30)	*/10.6(40)	6.6(25)/17.2(65)	7.9(30)/18.5(70)	4.0(15)/13.2(50)	6.6(25)/17.1(65)
HF 595-20.122	G 1	*/14.5(55)	*/19.8(75)	11.9(45)/26.4(100)	13.2(50)/29.0(110)	5.3(20)/22.4(85)	10.6(40)/29.0(110)
HF 595-30.195	G 1 1/4	*/32.5(123)	*/34.3(130)	18.5(70)/50.2(190)	21.1(80)/52.8(200)	14.5(55)/39.6(150)	15.8(60)/50.2(190)

*Do not use FG010 and FG025 in suction line.

HOW TO ORDER A COMPLETE FILTER



HF 595 - 10.060 - AS - FG010 - B17 - GD - B - H - Z - DA - G

1 Filter type See table pag. 3	CODE HF 595-	4 By-pass setting valve Without	CODE B00	8 Magnetic set Without	CODE Z
2 Filtering surface Standard	CODE AS	With By-pass setting valve 2.9 psi (0,2 [bar])	B02	With magnetic set	R
3 Degree of filtration 10 [µm] Micro-fibre glass	CODE FG010	With By-pass setting valve 25 psi (1,7 [bar])	B17	9 Indicator's port dimens. GAS Threads (BSPP)	CODE
25 [µm] Micro-fibre glass	FG025	5 Ports IN / OUT G 1/2	CODE GD	G 1/8 with plug	DA
60 [µm] Stainless steel wire mesh	MI060	G 3/4	GE	10 Indicators Without	CODE G
125 [µm] Stainless steel wire mesh	MI125	G 1	GF	Manometer - radial connection	N
10 [µm] Reinforced cellulose	RP010	G 1 1/4	GG	Visual indicator (Suction)	V
25 [µm] Reinforced cellulose	RP025	6 Seals Buna	CODE B	Visual indicator (Return)	P
10 [µm] Cellulose	SP010	Viton	V	Electrical indicator (Suction)	E
25 [µm] Cellulose	SP025	7 Filler cap Without	CODE H	Electical indicator (Return)	S
		With filler cap	L		

Standard On request

HOW TO ORDER A REPLACEMENT ELEMENT



HE K02 - 10.060 - AS - FG010 - VM - B17 - B

1 Element type See table pag. 3	CODE HE K02-	3 Degree of filtration 10 [µm] Micro-fibre glass	CODE FG010	4 By-pass valve With valve and spring	CODE VM
2 Filtering surface Standard	CODE AS	25 [µm] Micro-fibre glass	FG025	With valve - without spring	VV
		60 [µm] Stainless steel wire mesh	MI060	5 By-pass setting valve With cap instead of By-pass valve	CODE B00
		125 [µm] Stainless steel wire mesh	MI125	With By-pass setting valve 2.9 psi (0,2 [bar])	B02
		10 [µm] Reinforced cellulose	RP010	With By-pass setting valve 25 psi (1,7 [bar])	B17
		25 [µm] Reinforced cellulose	RP025	6 Seals Buna	CODE B
		10 [µm] Cellulose	SP010	Viton	V
		25 [µm] Cellulose	SP025		

Standard On request